

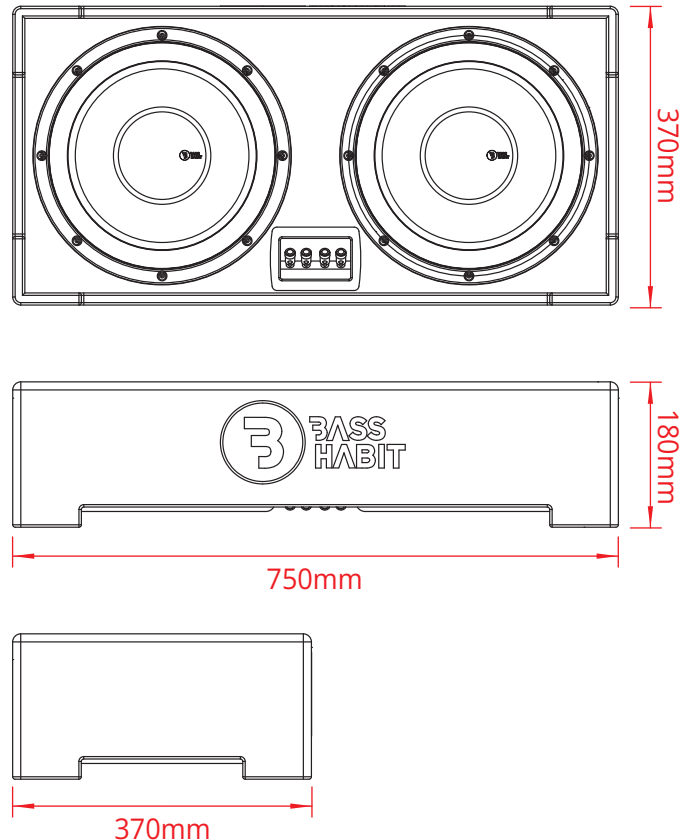
# Play

## PL2212SR



- ③ 2x12" enclosure with passive radiator design
- ③ Compact downfiring design
- ③ Selectable impedance (1/2x2/4 Ω) with jumper cable
- ③ 500W RMS / 1000W MAX / 1500W PEAK
- ③ Glass fiber cone / Steel basket / Ferrite magnet

Product Specifications	
Component	Passive Subwoofer Enclosure
Size	2x300mm (2x12")
Enclosure Information (PL2212SR)	
Type	Passive Radiator Design
RMS Power	500W
MAX Power	1000W
PEAK Power	1500W
Impedance	Adjustable 1 / 2x2 / 4 Ohm
Volume	50 L
Weight	14.7 kg
Subwoofer Information (PL2300SW)	
RMS Power	400W
MAX Power	800W
PEAK Power	1200W
Impedance	2x2 ohm
Sensitivity	96dB
Cone Material	Glass Fiber
Magnet	Ferrite
Voice Coil Diameter	60mm



Netto weight	Gross weight	Carton size	EAN Code
14.7kg	16.6kg	49x28.5x83.5cm	7394409028394