

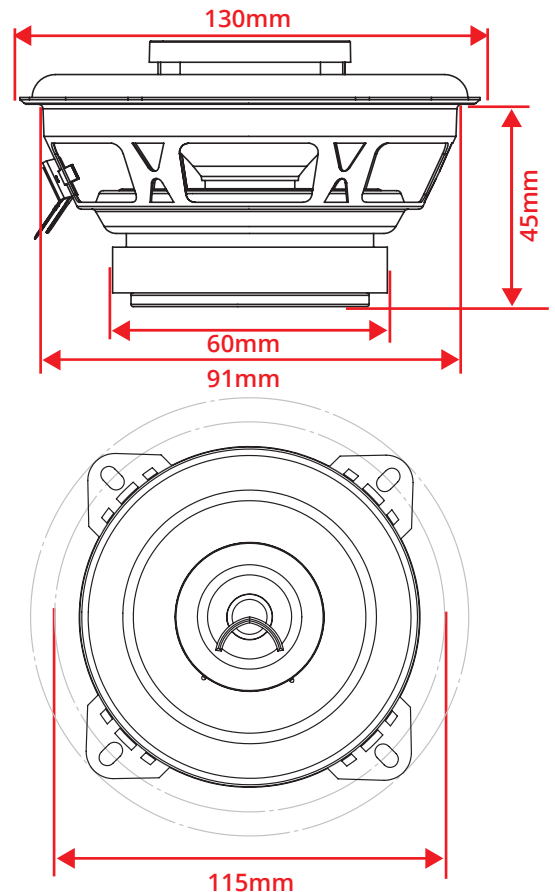
Play

P100



- 2-Way Coaxial speaker with a balanced tone range
- Great price vs performance ratio in a slim form factor
- Works well with both OEM stereo and more advanced amplified setups
- Speaker grills included

Product Specifications	
Component:	2-way Coaxial
Size:	100mm (4")
RMS Power:	40W
MAX Power:	80W
PEAK Power:	120W
Impedance:	4 Ohm
Sensitivity:	86dB
Frequency range:	104-20000Hz
Cone Material:	PP / PEI
Frame Material:	Steel
Suspension Material:	Rubber
Magnet:	Ferrite
Voice Coil Diameter:	20mm (0.8")
Voice Coil Material:	Alumimium
Weight:	0.3kg



Master carton units	Netto weight	Gross weight	Master carton size	EAN Code
10pcs	10kg	11kg	31x39x30cm	7394409011440