

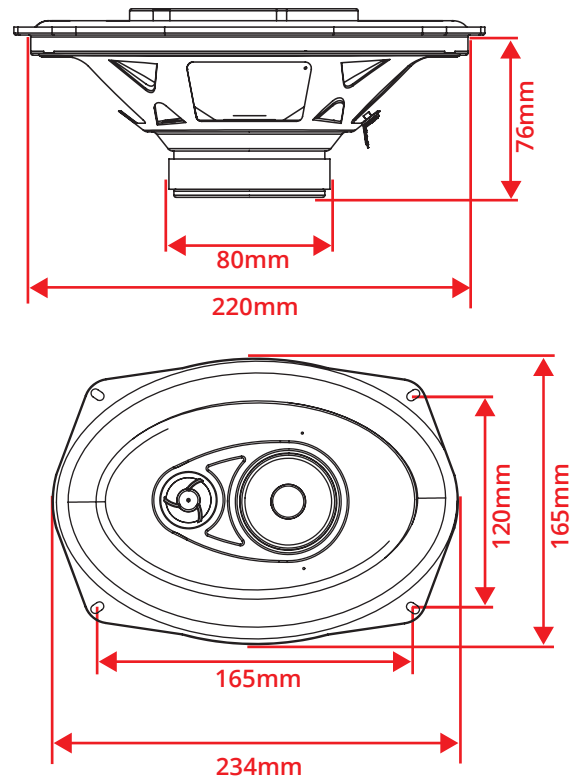
Play

P690



- 3-Way Coaxial speaker with a balanced tone range
- Great price vs performance ratio in a slim form factor
- Works well with both OEM stereo and more advanced amplified setups
- Speaker grills included

Product Specifications	
Component:	3-way Coaxial
Size:	165x235mm (6x9")
RMS Power:	60W
MAX Power:	120W
PEAK Power:	180W
Impedance:	4 Ohm
Sensitivity:	88dB
Frequency range:	59-20000Hz
Cone Material:	PP / PEI
Frame Material:	Steel
Suspension Material:	Rubber
Magnet:	Ferrite
Voice Coil Diameter:	25mm (1")
Voice Coil Material:	Alumimium
Weight:	0.89kg



Master carton units	Netto weight	Gross weight	Master carton size	EAN Code
10pcs	25kg	29kg	56x65x43cm	7394409011471