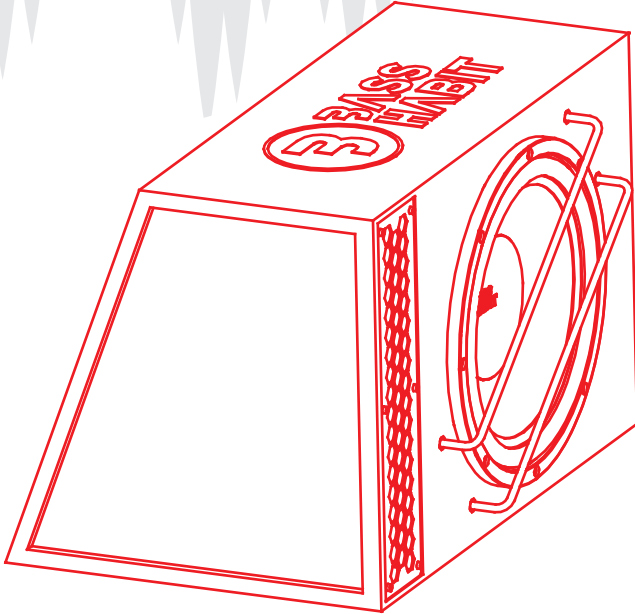




Play

PL112A



Active Subwoofer Enclosure 1x12"

3 BASSHABIT

THANK YOU FOR PURCHASING BASS HABIT

Thank you for purchasing this Bass Habit Play active enclosure. Please read this manual in order to fully understand how to get the best result from this product and ensure that the advices on how to look after the product and the safety precautions are followed. We hope you enjoy using the product as much as we enjoyed creating it.

Before mounting and installing your new enclosure, please read through the whole user manual. If you have any questions concerning your enclosure or any other Bass Habit products, contact your nearest Bass Habit distributor.

UNPACKING

INCLUDED IN THE PACKAGING

- Play active enclosure
- High/Level connector
- Bass remote
- Remote cable (5m)
- User manual

SAFETY & WARRANTY

DO NOT EXPOSE THIS PRODUCT TO EXCESSIVE DAMP OR MOISTURE

- Doing so may result in shock or damage to the product.

BEFORE WIRING, DISCONNECT THE CABLE FROM THE POSITIVE BATTERY TERMINAL

- Failure to do so may result in electric shock or injury.

ENSURE GOOD AND CORRECT CONNECTIONS

- Failure to make the correct connections may result in permanent damage to the product.

DO NOT USE ANY FUNCTIONS THAT MAY TAKE YOUR CONCENTRATION AWAY FROM DRIVING YOUR VEHICLE

- Do not setup your amplifier whilst driving. Doing so may result in an accident. For prolonged interaction with the product, make sure that your vehicle is stationary and parked in a safe location.

KEEP THE VOLUME AT A LEVEL SO YOU CAN STILL HEAR OUTSIDE NOISE

- Failure to do this may result in an accident. Bass Habit equipment is capable of producing sound levels that can permanently damage your hearing. Bass Habit recommends caution when listening at a high volume. For safety and enjoyable listening, the sound should be clear without distortion.

CAUTION

Never connect any speaker lead to the car chassis. This can cause severe damage to your car audio setup. Before drilling or cutting any holes, investigate the layout of your vehicle thoroughly. Use caution when working near the fuel/hydraulic lines and electrical wiring. Observe the correct polarity when wiring. Improper phasing may cause a loss of bass response. Make sure that no moving parts get caught on the subwoofer or grill.

WARRANTY

All Bass Habit products carry a full warranty depending on the conditions in the country where it is sold. The warranty is valid from the date of the original receipt as proof of purchase (warranty period differs depending on local warranty laws and policies). Contact your international Bass Habit dealer or distributor concerning specific procedure for your country's warranty policies.

WHAT IS NOT COVERED

- Damage to product due to improper installation.
- Subsequent damage to other components.
- Damage caused by exposure to moisture, excessive heat, chemical cleaners and/or UV radiation.
- Damage through negligence, misuse, accident or abuse. Repeated returns for the same fault may be considered as abuse.
- Any cost or expense related to the removal and/or abuse. Repeated returns for the same fault may be considered as abuse.
- Damage caused by amplifier clipping or distortion.
- Items repaired or modified by any unauthorized repair facility.
- Return shipping on non-defective items.
- Products returned without a return authorization number.
- Damage to product due to use of sealant.

WARNING

Bass Habit equipment is capable of sound pressure levels that can cause permanent damage to your hearing and those around you. Please use common sense when listening to your audio system and practice safe sound.

INTERNATIONAL TECHNICAL INQUIRIES

For international technical support please contact the distribution agent for your country.

INSTRUCTIONS

INSTALLATION EXPERIENCE

Installation of Bass Habit products may require experience with a variety of mechanical procedures. This manual only provides general installation and operation instructions. If you have any reservations about your installation skills, please contact your local authorized Bass Habit dealer for help.

CHOOSING LOCATION FOR YOUR SUBWOOFER ENCLOSURE

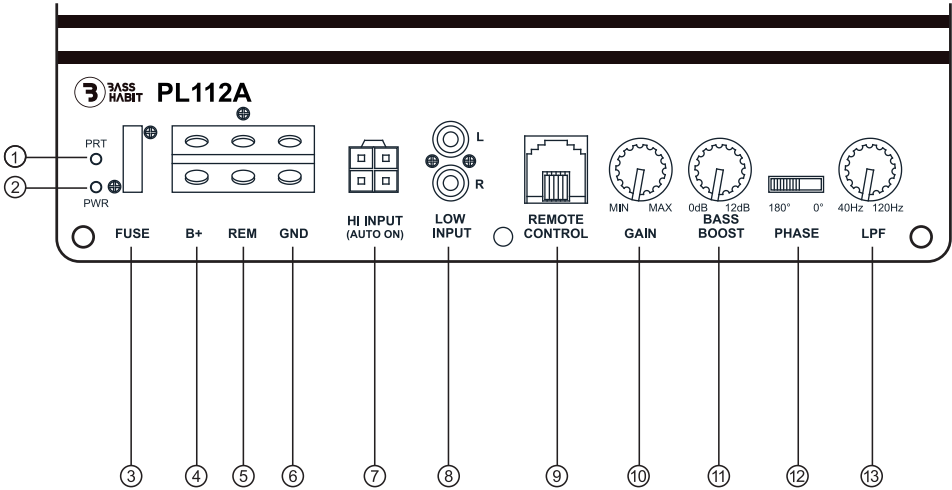
Choosing a good placement of your Bass Habit product will have the greatest effect of the sound quality of the system. There are many different considerations needed when choosing the location(s) that best meet your needs. The location(s) must be large enough for the enclosure to fit. Care is needed to ensure that the desired location will not affect either the mechanical or electrical operation of the vehicle.

INSTALLATION PRECAUTIONS

NOTE! Proceed only if you are a qualified installer, otherwise let your dealer do it.

- Always wear protective eye-wear when using tools.
- Turn off all stereo and other electrical devices before you begin.
- Disconnect the (-) negative lead from your vehicle's battery.
- Never use force when installing a Bass Habit product.
- Locate all fuel lines, brake lines, oil lines and electrical cables when planning your installation.

FIG 1: AMPLIFIER FRONT PANEL



1	PROTECT	Indicates active protection mode
2	POWER	Power indicator
3	FUSE	20A Fuse
4	B+	Connects to the positive (+) battery terminal
5	REM	Connect to remote output of audio source
6	GND	Connect to ground/chassi
7	HIGH INPUT	Connect to the sound system's existing speaker wires
8	LOW INPUT	Connect to source unit RCA output
9	REMOTE CONTROL	Remote volume control input (Controller optional)
10	GAIN	Set the input sensitivity from the source unit
11	BASS BOOST	Enhances bass frequencies 0-12dB
12	PHASE	Phase control 180/0. Standard use 0 (default)
13	LPF	Low Pass Filter 40-120Hz, adjust frequency reproduction

AMPLIFIER FRONT PANEL (FIG 1)

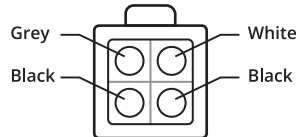
To get the very best performance out of your Bass Habit P112A Active Subwoofer Enclosure, carefully follow the below instructions:

HI INPUT:

Use included connector to establish contact with existing speaker wires. Make sure to follow the correct polarity.

High level connector polarity:

- Grey: Left speaker +
- Black: Left speaker -
- White: Right speaker +
- Black: Right speaker -



High-level input also has AUTO ON that allows the subwoofer to start without a pre-drawn REM connection.

GAIN:

Gain control to set the input sensitivity from the source unit. Turn the GAIN control to a minimum (full counter clockwise) and the connected remote volume control (optional) to full (clockwise), turn off BASS BOOST and any EQ functions on your head unit. Increase the volume on the source unit to 3/4 using a music track you know well. Very slowly increase the GAIN control until the music gets slightly distorted. Reduce the GAIN slightly until the distortion is gone.

CAUTION! The GAIN is not a volume control.

BASS BOOST:

Enhances bass frequencies 0-12dB. Use this function with care, and do not adjust after setting the GAIN correctly.

Ground Connection (GND):

Connect the amplifiers Ground (GND) terminal to a solid point on the vehicles metal chassis, as close to the amplifiers as possible.

Scrape away any paint from this location; use a star-type lock washer to secure the connection.

Ground wire minimum size: 10mm² (8AWG) OFC power cable.

Power Connection (+12V):

Connect a wire directly to the positive battery terminal and install an appropriate fuse and fuseholder within 30cm/12" from the battery terminal.

Keep the fuse uninstalled at the time for routing and connecting the power wire.

Be sure to use grommets whenever routing wires through the firewall or other metal parts. When routing/connecting is done, installation of the fuse into fuse holder can be finalised.

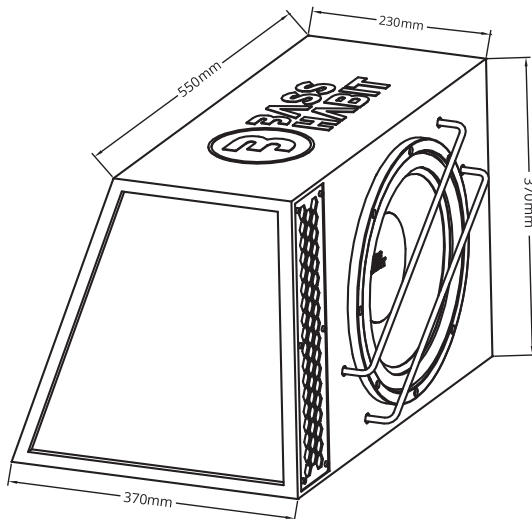
+12V wire minimum size: 10mm² (8AWG) OFC power cable with a 30A fuse.

Remote Connection (REM):

Connect to remote output of audio source.

SPECIFICATION PL112A

Component	Active Subwoofer Enclosure		
Size	1x300mm (1x12")		
Enclosure Information (PL112A)			
Type	Vented, powered subwoofer		
Amplifier	Built-in Class A/B		
RMS Power	150W		
MAX Power	300W		
PEAK Power	450W		
Frequency Response	20-200Hz		
Adjustable X-over	Low Pass Filter, 40-120Hz		
Adjustable Phase	180/0		
Low Level Input	Yes, RCA		
High Level Input	Yes, with Auto-ON		
Built-in fuse	20A		
Bass Boost	0-12dB		
Subwoofer Information (PL300)			
RMS Power	200W	Sensitivity	88dB
MAX Power	400W	Cone & Frame	PP & Steel
PEAK Power	600W	Magnet	Ferrite
Impedance	4 ohm	Voice Coil Ø	51mm (2")



TROUBLESHOOTING

SYMPTOM	CHECK / CONTROL
No power	Power cable (measure), REM connection (measure). Check fuses, control GND connection.
No Audio	Control source unit and signal cables. If the unit is connected with high-level: control connections and speaker cables.
Protection	Control power cables (measure) and battery condition.
Distortion	Check GAIN setting. Turn off bass boost.



The crossed-out wheeled bin symbol means that the product, literature and packaging included must be taken to separate collection at the end of their working life. Do not dispose of these products as unsorted municipal waste: dispose of them at a recycling point. For info on your nearest recycling point, check with your local waste authority.

Products marked with the RoHS symbol complies with the relevant provisions of the RoHS Directive for the European Union. In common with all Electrical and Electronic Equipment (EEE) the product should not be disposed of as household waste. Alternative arrangements may apply in other jurisdictions.

The product with the CE mark indicates that it has passed the corresponding conformity assessment procedure and the manufacturer's declaration of conformity, and it complies with the relevant EU directives, and is used as a pass for the product to be allowed to enter the European Community market. Relevant directives require industrial products to be affixed with the CE mark. Those that do not have the CE mark shall not be marketed.

Winn Scandinavia AB
Elementvägen 15, 702 27 Örebro
Sweden
www.winnscandinavia.com

Winn Scandinavia reserves for possible typos, factual or numeric errors that may have been printed on any products, package designs, user manuals and/or other included accessories.

3 BASSHABIT



**BASS
HABIT**