

Play

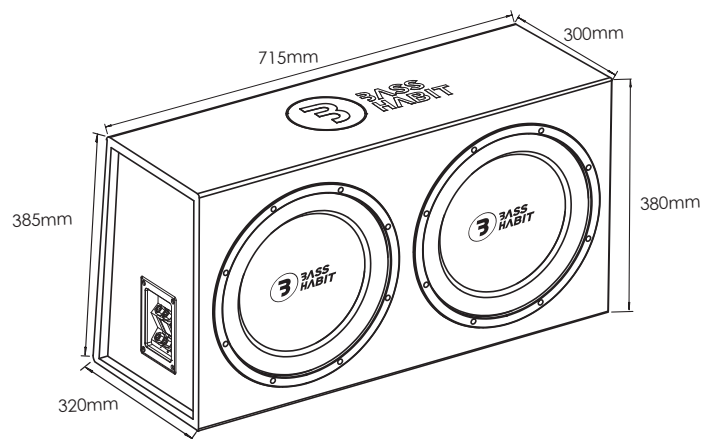
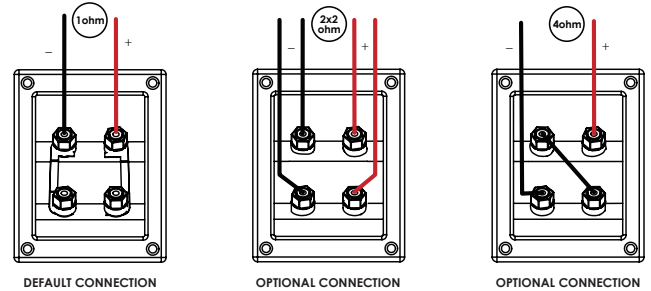
PL212



1200W PEAK
1 / 2+2 / 4 OHM

- 2x12" loaded enclosure
- Constructed with durable MDF material & protected with black carpet
- Proprietary high-flow side slot port including a custom metal grill
- Wired to create a 1 ohm amplifier load or additional 2+2 or 4 ohm configuration
- Durable PP cone / Steel basket / Rubber suspension

Product Specifications	
Product Type:	Passive subwoofer
Size woofer:	2x300mm (2x12")
RMS Power:	400W
MAX Power:	800W
PEAK Power:	1200W
Impedance	1 / 2x2 / 4 Ohm
Sensitivity:	91dB
Frequency range:	30-500Hz
Cone Material:	Polypropylene
Frame Material:	Steel
Suspension Material:	Rubber
Magnet:	Ferrite
Voice Coil Diameter:	51mm (2")
Enclosure Volume:	67L
Port:	Slot port
Fb:	42Hz
Weight:	18.5kg



Netto weight	Gross weight	Carton size	EAN Code
18.5kg	20kg	74x34x40cm	7394409023481