

# Play

## PL212A



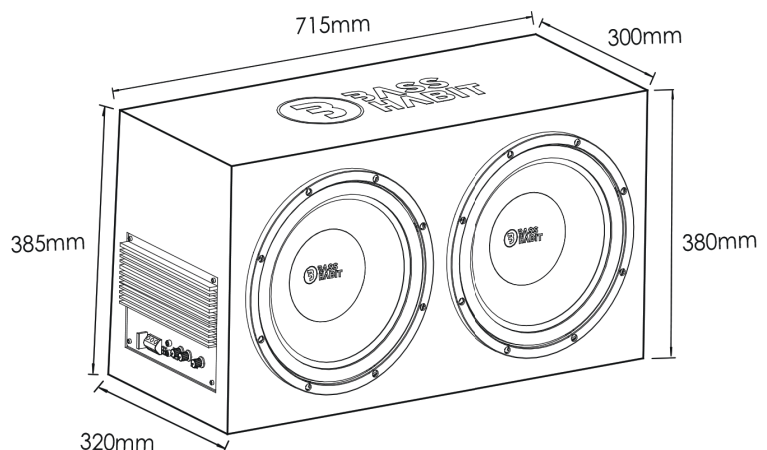
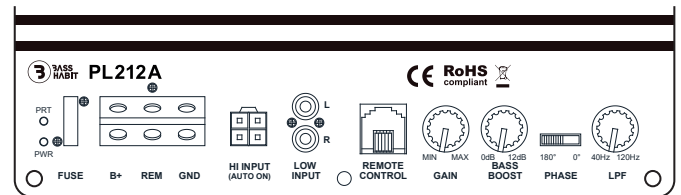
750W  
PEAK

AB  
Class

- 2x12" active loaded enclosure
- 18mm MDF material & black carpet
- Proprietary high-flow side slot port with grill
- 250W RMS / 500W MAX / 750W PEAK
- Durable PP cone / Steel basket / Rubber suspension

### Product Specifications

Component	Active Subwoofer Enclosure
Size	2x300mm (2x12")
Enclosure volume	66L
Port	Slot port
Fb	42Hz
Weight	18.7kg
<b>Enclosure Information (PL212A)</b>	
Type	Vented, powered subwoofer
Amplifier	Built-in Class A/B
RMS Power	250W
MAX Power	500W
PEAK Power	750W
Frequency Response	20-200Hz
Adjustable X-over	Low Pass Filter, 40-120Hz
Adjustable Phase	0/180
Low Level Input	Yes, RCA
High Level Input	Yes, with Auto-ON
Built-in fuse	30A
Bass Boost	0-12dB @ 45Hz
<b>Subwoofer Information (PL300)</b>	
RMS Power	200W
MAX Power	400W
PEAK Power	600W
Impedance	4 ohm
Sensitivity	88dB
Cone & Frame	PP & Steel
Magnet	Ferrite
Voice Coil Ø	51mm (2")



Net weight	Gross weight	Carton size	EAN Code
18.7kg	20.23kg	41x35x75cm	7394409045209