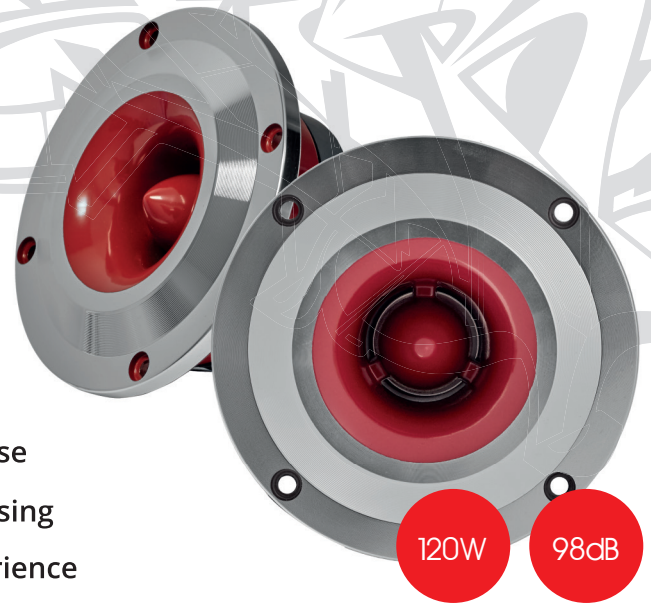


REBEL

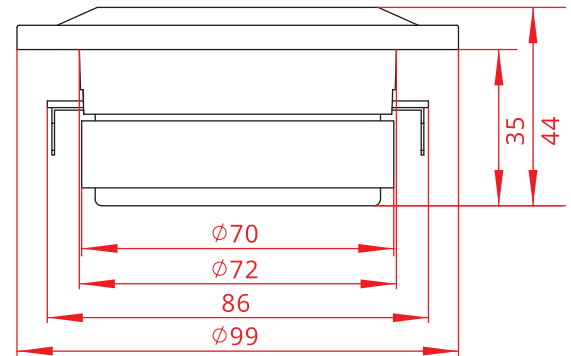
SR25T

- 25mm SPL Horn tweeter with Titanium diaphragm
- 98dB high sensitivity & wide controlled freq. response
- Strong ferrite magnet with polished aluminium housing
- Easy upgrade with a great "bang for the buck" experience
- Including 3,3 uF 6db crossover for easy connection

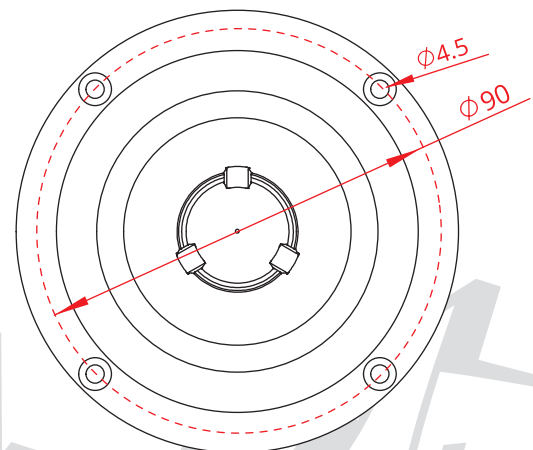


Product Specifications

Component:	Horn tweeter
Size:	25mm (1")
RMS Power:	40W
MAX Power:	80W
PEAK Power:	120W
Impedance:	4 Ohm
Sensitivity:	98dB
Frequency range:	4000-20000Hz
Cone Material:	Titanium diaphragm
Frame Material:	Aluminum
Crossover	6dB / 3.3 uf
Magnet:	Ferrite
Voice Coil Diameter:	25.4mm (1")
Voice Coil Wire:	Copper
Weight:	0.5kg



(mm)



Master carton units	Netto weight	Gross weight	Master carton size	EAN Code
10prs	9.2kg	10.8kg	25.5x25.5x26cm	7394409026661