

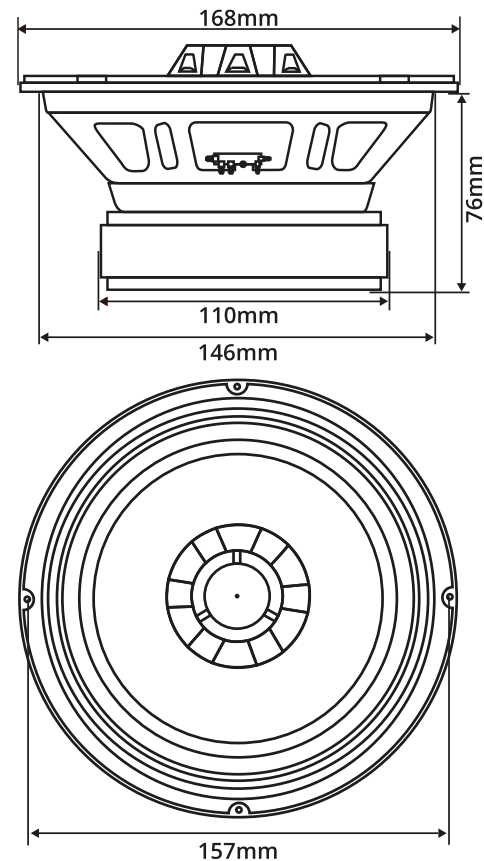
ELITE

SE165CX

- ③ SPL 2-way coaxial
- ③ 165mm (6.5") NPP cone and M-surround
- ③ 25mm (1") Titanium tweeter included 6dB inline crossover
- ③ High Sensitivity driver with impressive performance
- ③ Strong oversized ferrite motor for massive power handling
- ③ Wide range and point source SPL speaker solution



Product Specifications	
Product Type:	SPL Coaxial
Size tweeter:	25.4 mm (1")
Size woofer:	165 mm (6.5")
RMS Power:	150 W
MAX Power:	300 W
PEAK Power:	450 W
Impedance	4 Ohm
Sensitivity:	97 dB
Frequency range:	100 - 20000 Hz
Cone Material:	NPP / Titanium
Frame Material:	Steel
Suspension Material:	M-Roll Cloth
Magnet:	Ferrite / Neo
Voice Coil Diameter:	45 mm (1.75")
Tweeter crossover:	2.2 uF / 9500 Hz
Qts:	0.75
Fs:	113 Hz
Vas:	7.8 L
Weight:	1.85 kgs



HPF Crossover recommendation
105 Hz or higher (12dB / Oct)

Master carton units	Netto weight	Gross weight	Master carton size	EAN Code
6 pcs	13 kgs	14 kgs	40.5x22x39 cm	7394409020794