

ELITE

SE200CX

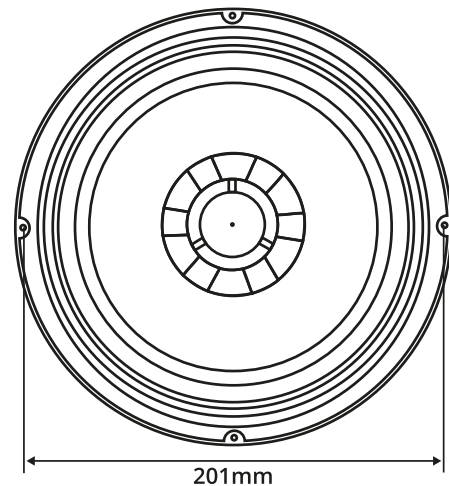
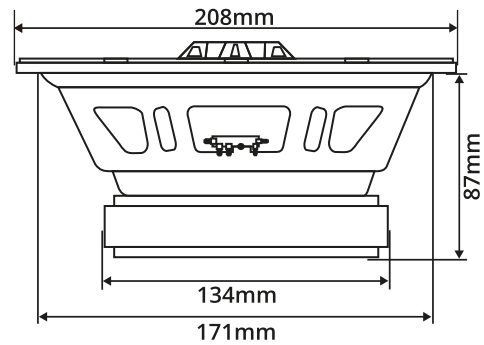


4 Ohm 97 dB SPL

- ③ SPL 2-way coaxial
- ③ 200mm (8") NPP cone and M-surround
- ③ 25mm (1") Titanium tweeter included 6dB inline crossover
- ③ High Sensitivity driver with impressive performance
- ③ Strong oversized ferrite motor for massive power handling
- ③ Wide range and point source SPL speaker solution

Product Specifications

| | |
|----------------------|------------------|
| Product Type: | SPL Coaxial |
| Size tweeter: | 25.4 mm (1") |
| Size woofer: | 200 mm (8") |
| RMS Power: | 200 W |
| MAX Power: | 400 W |
| PEAK Power: | 600 W |
| Impedance | 4 Ohm |
| Sensitivity: | 97 dB |
| Frequency range: | 90 - 20000 Hz |
| Cone Material: | NPP / Titanium |
| Frame Material: | Steel |
| Suspension Material: | M-Roll Cloth |
| Magnet: | Ferrite / Neo |
| Voice Coil Diameter: | 45 mm (1.75") |
| Tweeter crossover: | 2.2 uF / 9500 Hz |
| Qts: | 0.54 |
| Fs: | 101 Hz |
| Vas: | 14 L |
| Weight: | 3 kgs |



HPF Crossover recommendation
90 Hz or higher (12dB / Oct)

| Master carton units | Netto weight | Gross weight | Master carton size | EAN Code |
|---------------------|--------------|--------------|--------------------|---------------|
| 4 pcs | 14 kgs | 15 kgs | 49x26.2x30 cm | 7394409020800 |