

ELITE

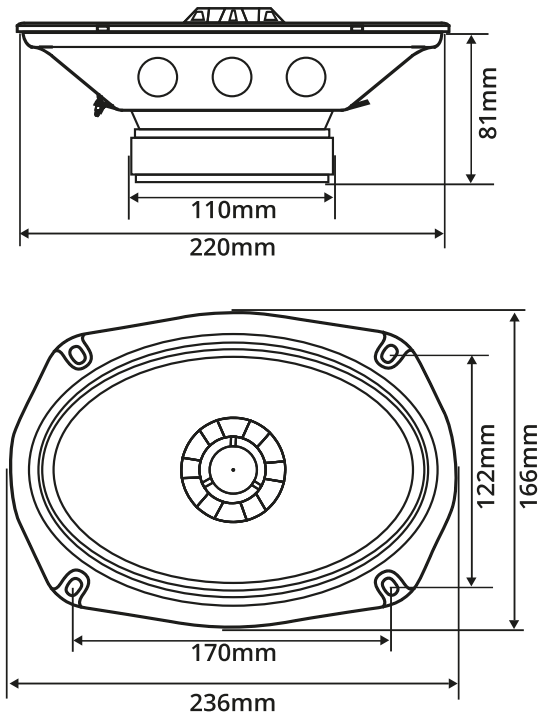
SE690CX



- ③ SPL 2-way coaxial
- ③ 165x225mm (6x9") NPP cone and M-surround
- ③ 25mm (1") Titanium tweeter included 6dB inline crossover
- ③ High Sensitivity driver with impressive performance
- ③ Strong oversized ferrite motor for massive power handling
- ③ Wide range and point source SPL speaker solution

Product Specifications

Product Type:	SPL Coaxial
Size tweeter:	25.4 mm (1")
Size woofer:	165x225 mm (6x9")
RMS Power:	180 W
MAX Power:	360 W
PEAK Power:	540 W
Impedance	4 Ohm
Sensitivity:	97 dB
Frequency range:	90 - 20000 Hz
Cone Material:	NPP / Titanium
Frame Material:	Steel
Suspension Material:	M-Roll Cloth
Magnet:	Ferrite / Neo
Voice Coil Diameter:	45 mm (1.75")
Tweeter crossover:	2.2 uF / 9500 Hz
Qts:	0.59
Fs:	105 Hz
Vas:	12 L
Weight:	2.2 kgs



HPF Crossover recommendation
95 Hz or higher (12dB / Oct)

Master carton units	Netto weight	Gross weight	Master carton size	EAN Code
6 pcs	14 kgs	15 kgs	42.7x29.5x41 cm	7394409020817